



**DARUI**

**DARUI**

**Digital Label  
Solution Provider**

Ningbo Darui Automation Equipment Co.,Ltd

# "ABOUT US"

Darui is a technical enterprise with a focus on label printing and related equipment manufacturing. We are only the manufacturer in China who develop and make the machines, but also we have our own label making factory with more than 20 years experience in this Industry. All of our machines are in a long test in our printing factory and then upgrade / optimize.

After that, The machines come to be sold for meeting over the market expects.

Our goal is to simplify and enhance the label making industry with intelligent solutions, and We strive to provide High-quality Products and services to help customers achieve business success.

We understand the unique needs of each customer and provide customized solutions to meet the specific requirements.

Darui enhances the market competitiveness of our customers.

**Our aim is to be the manufacturer leader of the label digital solution provider in China. We are well on the way !**



*The new generation of intelligent digital  
die - cutting machines is more  
efficient and Smarter*

# S8/S9



# CMYKW Toner Label Printer

—K1



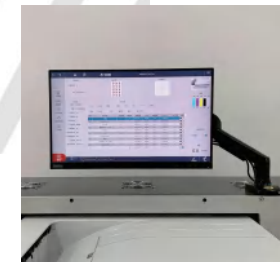
CMYK-W 5 Color



Web Guide



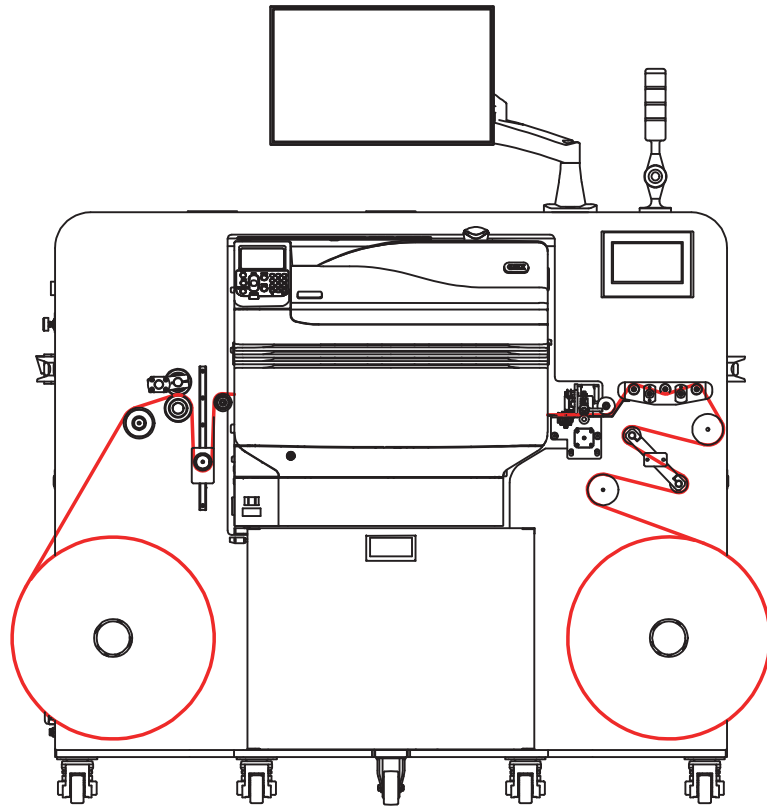
High-speed  
Continuous Printing



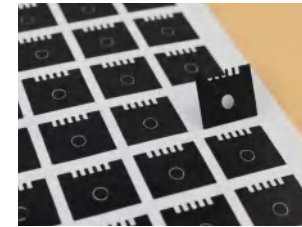
User-friendly  
UI Interaction

Print Speed	5-10 M/MIN	Power Consumption	3KW
Unwind Wigth(max)	330MM/Dia:650MM	Weight	800KG
Dimensions	1550MM*850MM*1550MM	Media Applicable	52-360GSM
Power Supply	Single-phase 220-240VAC50HZ+2%	Color Mode	CMYK+W
Working Environment	Temperature:17°C-27°C Humidity:50% to 70%RH	Print Resolution	1200*1200dpi
Printing Technology	LED Digital Color Electrostatic Continuous Printing Imaging Printing		

# DARUI



**Card Paper**



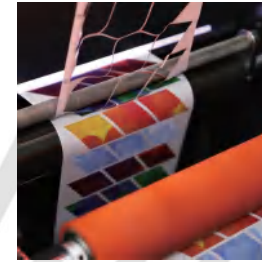
**Glossy Paper**

1. Vivid and lifelike graphics, fast and efficient printing, Delives outstanding performance
2. 1200\*1200dpi resolution and VDC LED print head
3. Exceptional paper handling capacity of up to 360gsm and 1321mm in length
4. Sharp and clear printouts with stunning colors, making your prints more vibrant and realistic



# Label Digital Laser Die-cutting

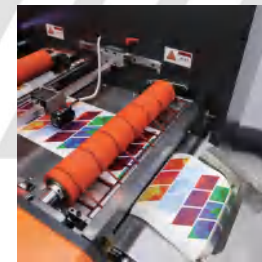
## —J3/J5



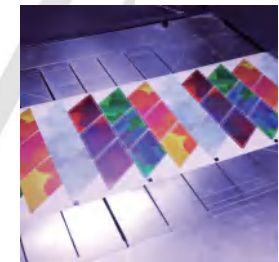
Waste Remove



Web Guide



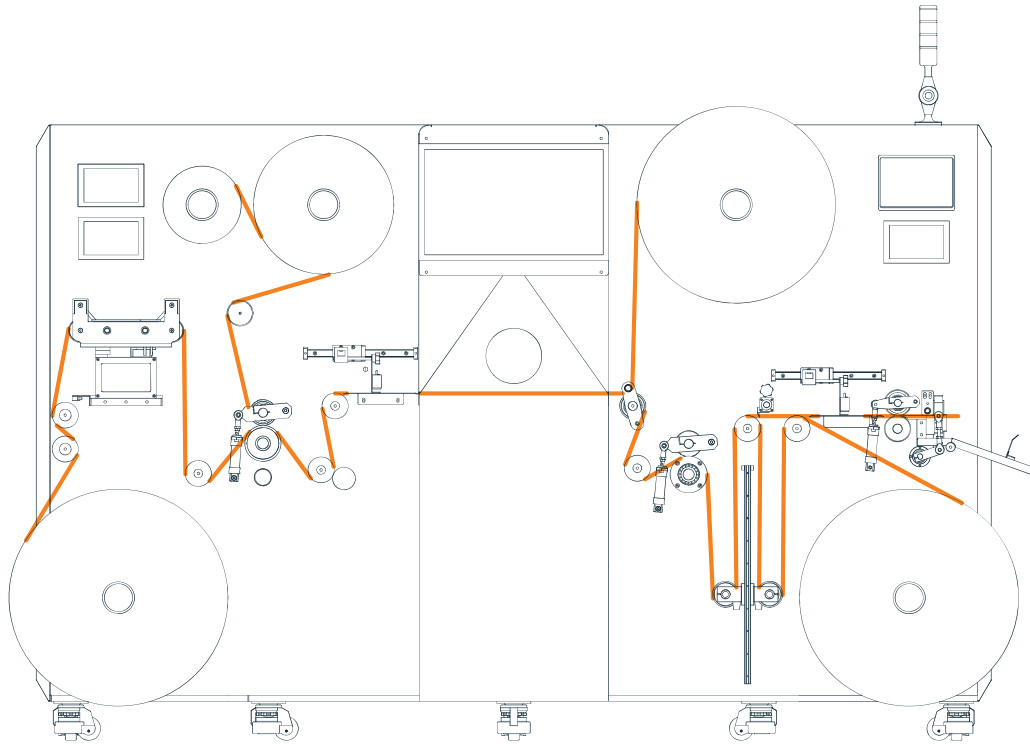
Sheeter



Laser

Laser Power	200W/300W Optional	Die-cutting Speed	60M/M
Cutting Precision	0.1MM	Weight	1480KG
Total Output	5.5KW	Working Voltage	AC220V
Die-cutting Width	330MM/Lengeh no-limit	Equipment Structure	Roll To Roll/Sheet
Die-cutting Positioning	Electrical Eye Tracking(Sensor)	Meas	2300MM*1150MM*1670MM
Working Mode	Flying And Interval Cutting	Operating Surrounding	Humidity:40%-70%Temperature:20-30°C
Applicable Material	Stickers,Label Paper,PET And Other Film Label		

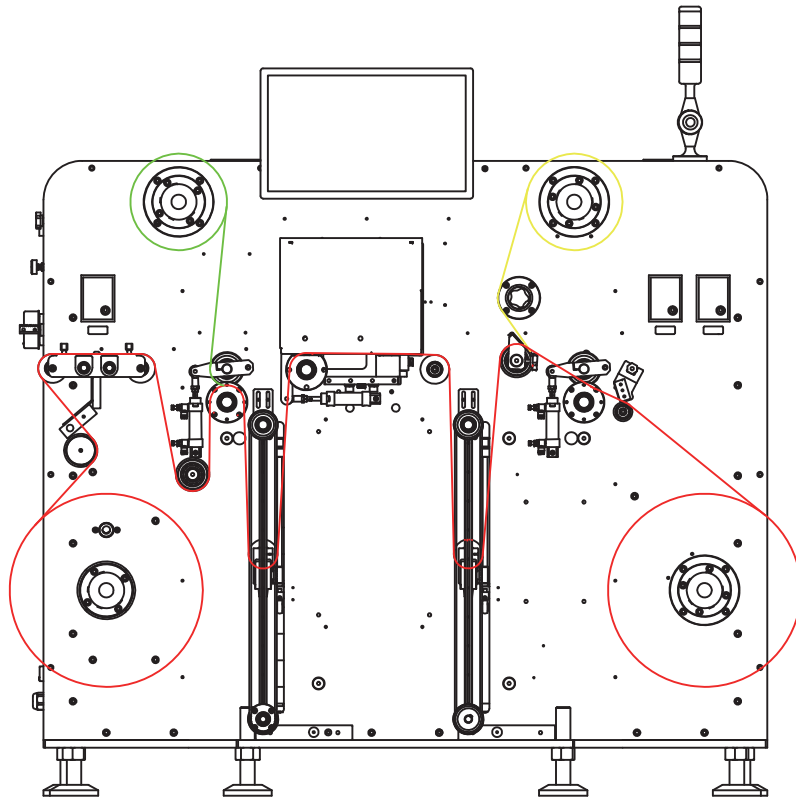
# DARUI



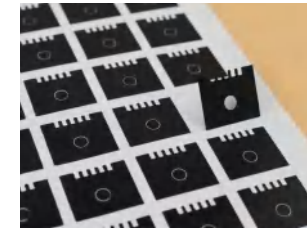
- 1.Can save mostly the cost for cutting board and the adjusting testing materials when without cutting mould.Precisely location, user-friendly operation system.
- 2.Fully automated computer control reduces the need for manual labor.It is easy to operate and can be mastered in half a day.
- 3.Functions: lamination, die cutting, waste discharge, slitting, sheet, etc.
- 4.Fastly running order, most up to small orders 50 per day.
- 5.3D-Digital galvo lens,More accurate and Smarter.



# DARUI



Card Paper



Glossy Paper

1. Our latest Digital Die-cutting Machine CCD scanning Mark is only 0.3Seconds per file.
- 2.Functions: lamination, die cutting, waste discharge, slitting, etc.
- 3.Which can achieve QR code scanning and jobs changes automatically.
- 4.Integrated casting and Enables a minimum gap of 25 mm between blades for high-precision tasks.



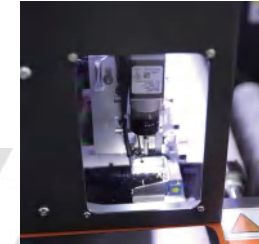
# Digital Knife Die Cutter

(6 /9 Blades Head optional)

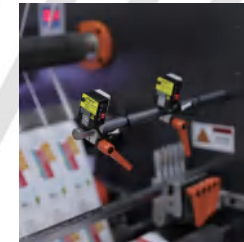
—S8



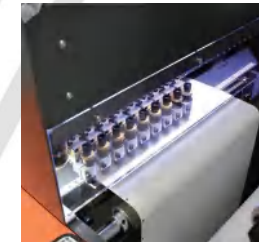
Auto Web Guide



Industrial Grade Camera



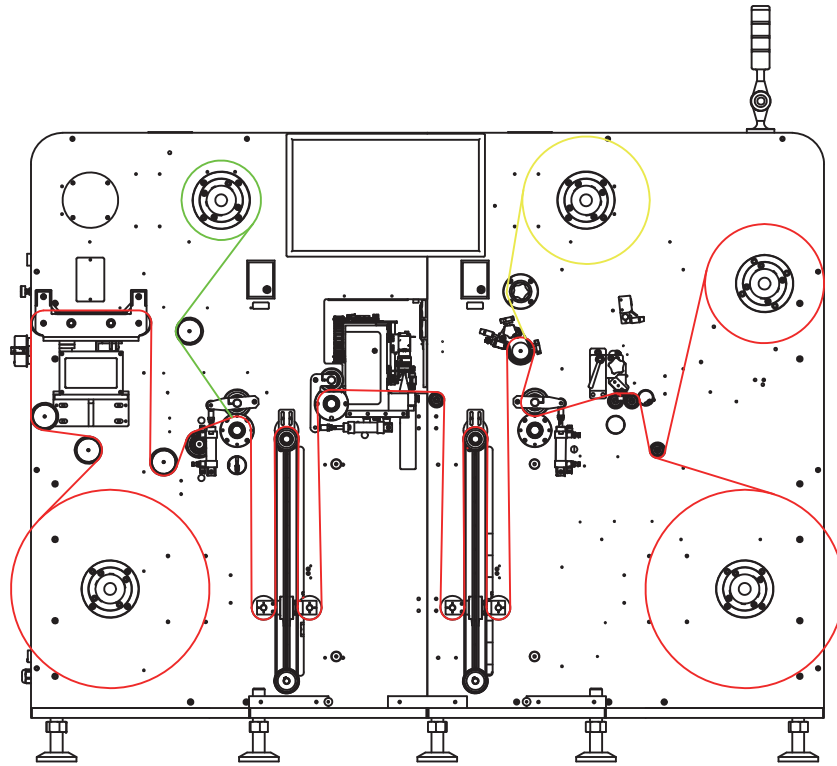
Matrix Removal & Inspection



Multi Task Changeover Via Qr Code

Cutting Precision	0.1MM	Die-cutting Length	1200MM	Practical speed/1000PCS
Die-cutting Speed	Less than 15M	Weight	About1.3T	Circle/10*10mm/1'36"
Working Voltage	AC220V	Die-Cutting Heads	6pcs/ 9pcs	Circle/30*30mm/1'48"
Equipment Structure	Roll To Roll	Meas	2000MM*1150MM*1600MM	Circle/50*50mm/2'26"
Die-cutting Positioning	CCD Camera + QR Code Automatic Die Cutting			Rec/10*10mm/1'51"
Guarantee	One Year (except for wear-and-tear parts)			Rec/30*30mm/2'08"
Applicable Material	Stickers,Label Paper,PET And Other Film Label			Rec/50*50mm/2'54"

# DARUI



Sliver Polyester



Reflective Film

1. Our latest Digital Die-cutting Machine CCD scanning Mark is only 0.1 Seconds per file.
2. Blade pressure adjustment automatically & Entirely redesigned on Cutting blades system for improved durability and integrated casting.
3. Which can achieve QR code scanning and jobs changes automatically.
4. Integrated casting and Enables a minimum gap of 25 mm between blades for high-precision tasks.



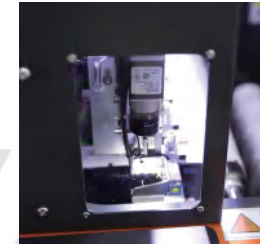
# Digital Knife Die Cutter

(6 /9 Blades Head optional)

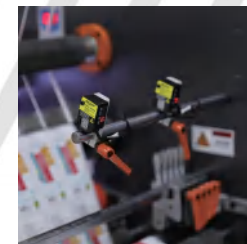
—S9



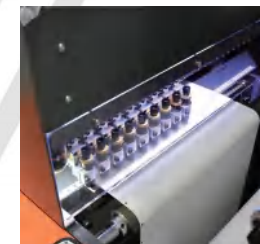
Auto  
Web Guide



Industrial  
Grade Camera



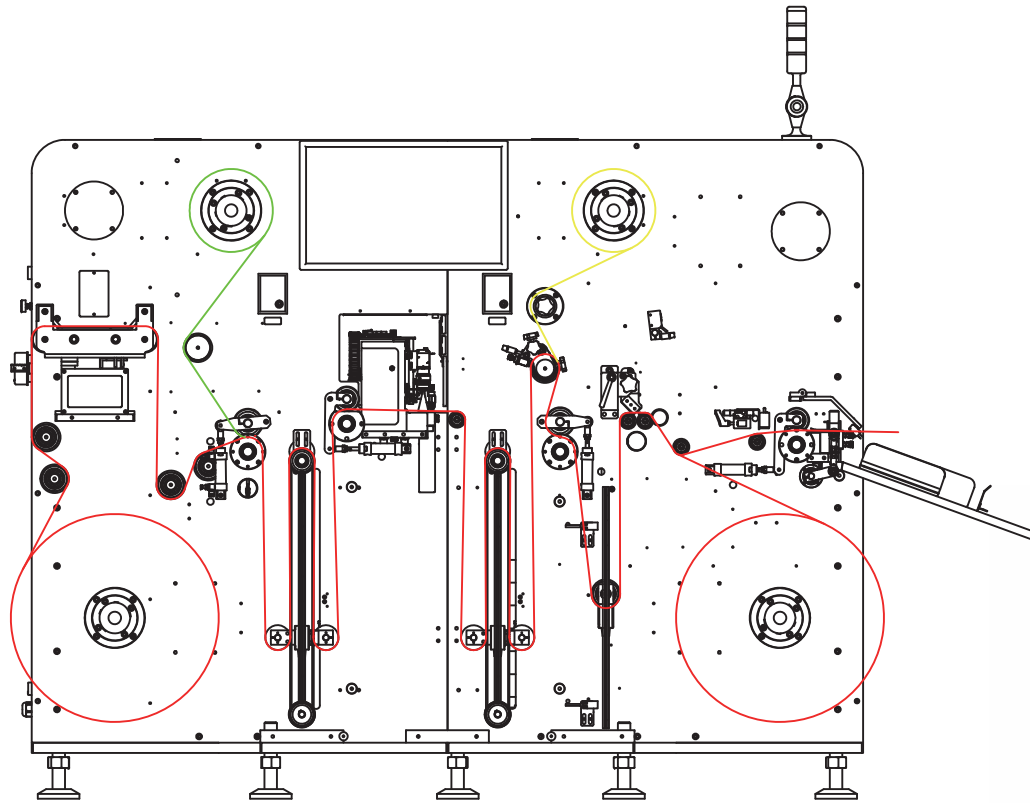
Matrix Removal  
& Inspection



Multi Task  
Changeover Via Qr Code

Cutting Precision	0.1MM	Die-cutting Length	1200MM	Practical speed/1000PCS
Die-cutting Speed	Less than 15M	Weight	About1.3T	Circle/10*10mm/1'36"
Working Voltage	AC220V	Die-Cutting Heads	6pcs/ 9pcs	Circle/30*30mm/1'48"
Equipment Structure	Roll to roll and roll to sheet	Meas	2000MM*1150MM*1600MM	Circle/50*50mm/2'26"
Die-cutting Positioning	CCD Camera + QR Code Automatic Die Cutting			Rec/10*10mm/1'51"
Guarantee	One Year (except for wear-and-tear parts)			Rec/30*30mm/2'08"
Applicable Material	Stickers,Label Paper,PET And Other Film Label			Rec/50*50mm/2'54"

# DARUI



Silver Polyester

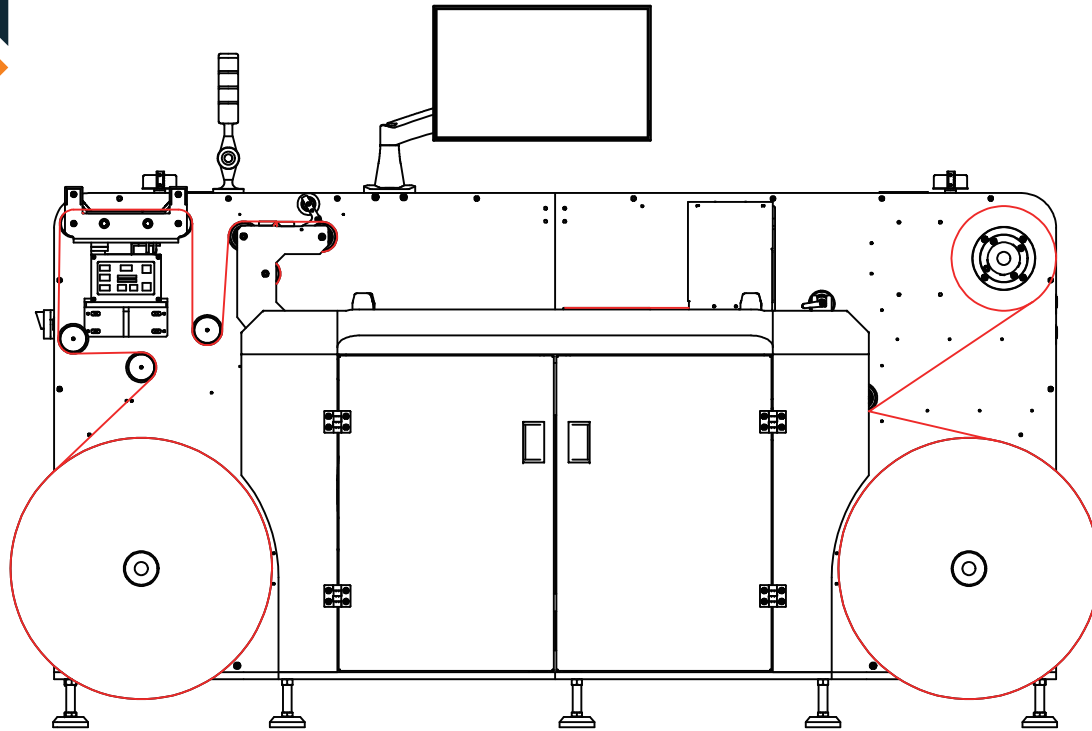


Reflective Film

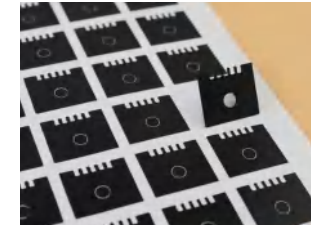
1. Our latest Digital Die-cutting Machine CCD scanning Mark is only 0.1 Seconds per file.
2. Blade pressure adjustment automatically & Entirely redesigned on Cutting blades system for improved durability and integrated casting.
3. Which can achieve QR code scanning and jobs changes automatically.
4. Integrated casting and Enables a minimum gap of 25 mm between blades for high-precision tasks.



# DARUI



Card Paper



Glossy Paper

1. This digital slitting machine combines high precision, rapid adjustment, flexible production, and blades separate auto.
2. Label Transfer device avoid to the easy snap labels.
3. Its intuitive user interface ensures easy operation, With digital control, it swiftly adapts to diverse label requirements, enhancing production efficiency.
4. New function- Quality control & Inspection area,



# UV Coating Machine

## —C1-UV350



Tension Control



UV Light

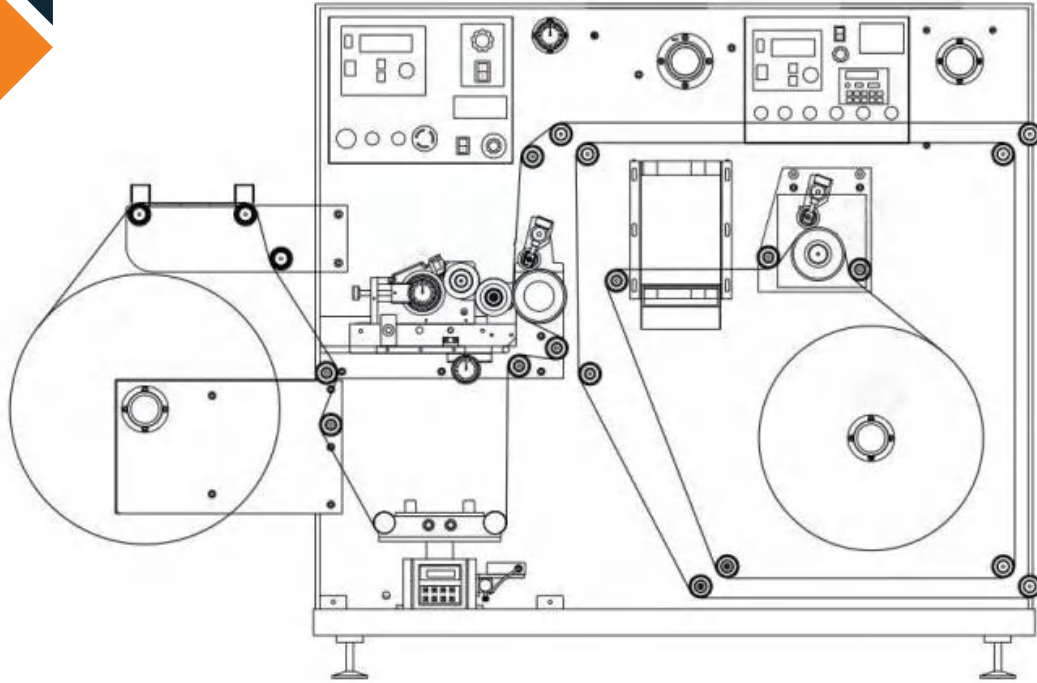


Rewinder

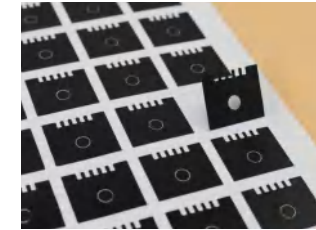


Anilox Roller

Maximum Meida Vidth	350 MM	Power	3000W
Maximum Unwinding Diamete	650 MM	UV Power	10KW
Maximum Rewinding Diamete	650 MM	Dimensions	2100MMx1200MMx2000MM
Speed	8-68 M/MIN	Weight	1000KG
Voltage	380V		



**Card Paper**



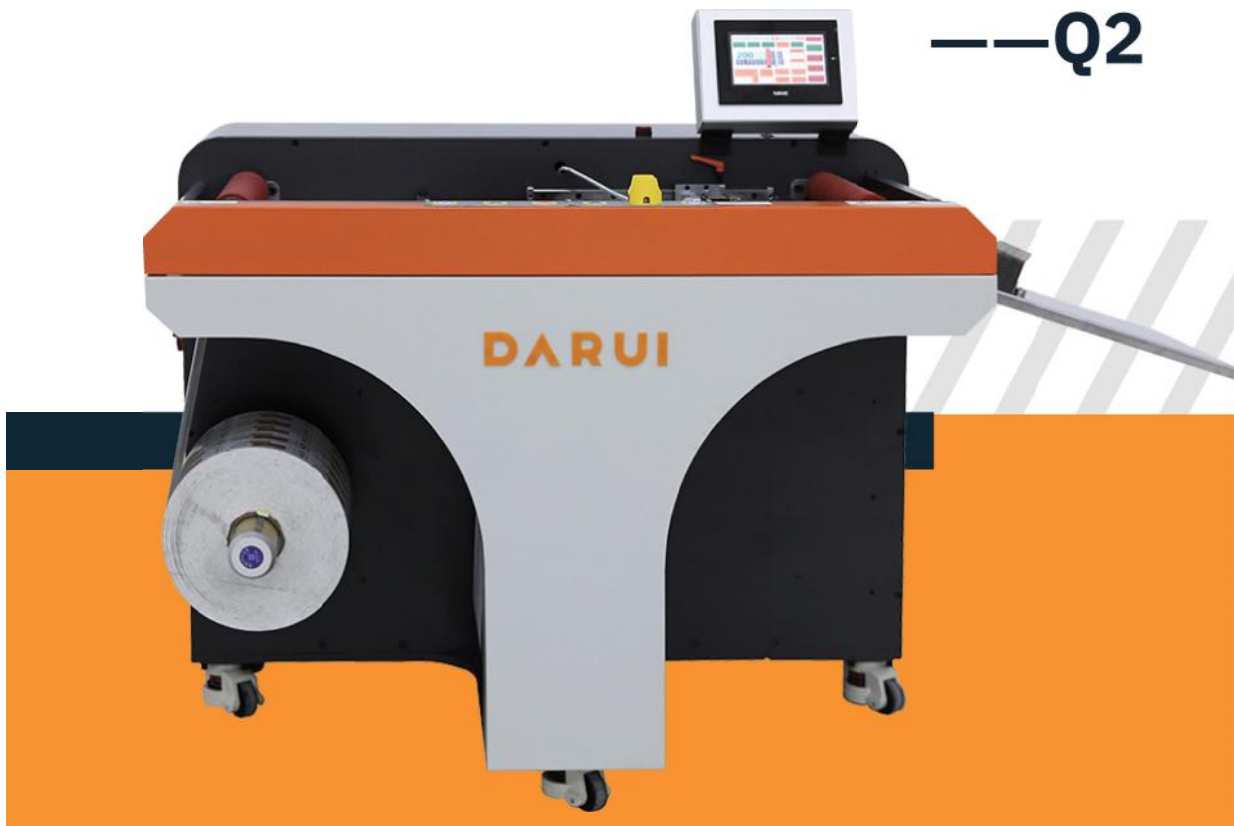
**Glossy Paper**

This device excels in UV varnishing, laser transfer film and UV priming. Featuring UV light drying technology, it prevents edge wrapping, bubbling, and delamination, establishing itself as a versatile solution in label finishing. Additionally, it is equipped with a high-precision auto web guide and tension control systems.



# High Speed Sheet Cutter

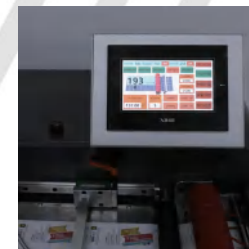
—Q2



**Mark Tracking / Fixed Length**



**High Speed Cutting & Counting**



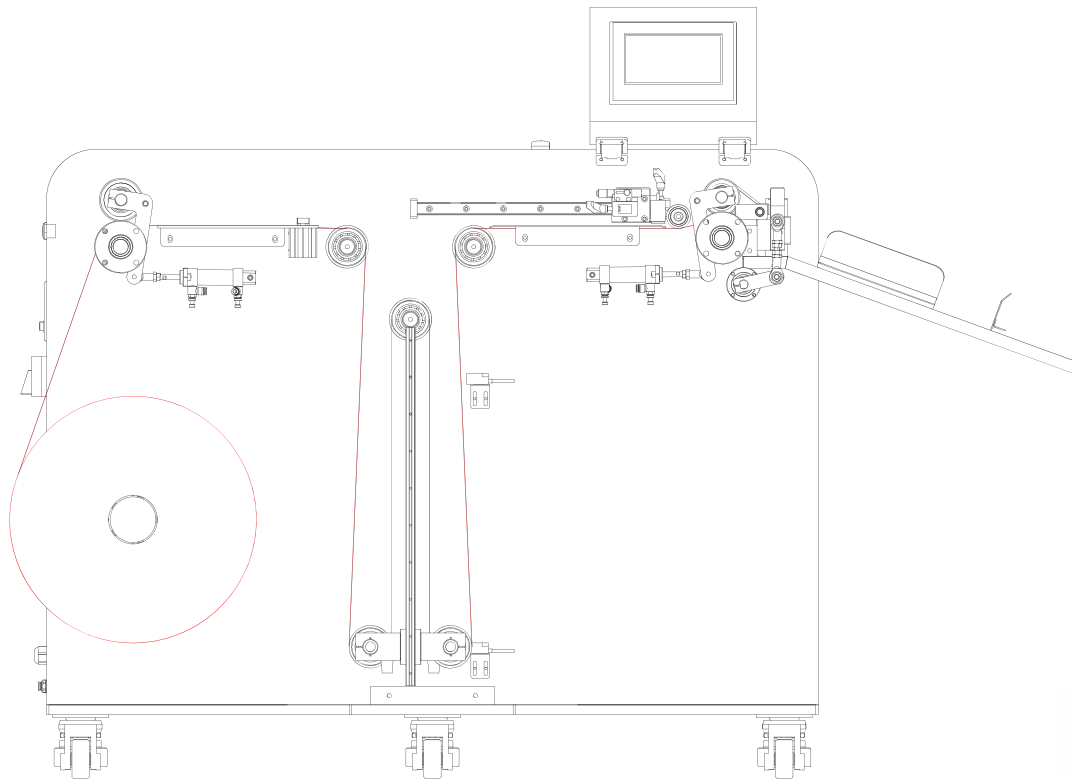
**Multi Functional Touch Screen**



**Unwinding**

Cutting Precision	0.1MM	Equipment Structure	Roll To Sheet
Total Output	1.5KW	Cutting Speed	0-350pcs/M
Weight	540KG	Working Voltage	AC220V
Operating Surrounding	Humidity:40%-70%% Temperature:20-30"C	Die-cutting Positioning	Mark Tracking(Sensor)
Cutting Scale	350MM, ∞	Meas	1300MM*950MM*1200MM
Applicable Material	Stickers,Label Paper,PETAnd Other Film Label		

# DARUI



**Double Sided Tape**

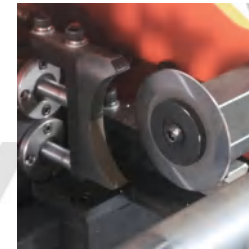
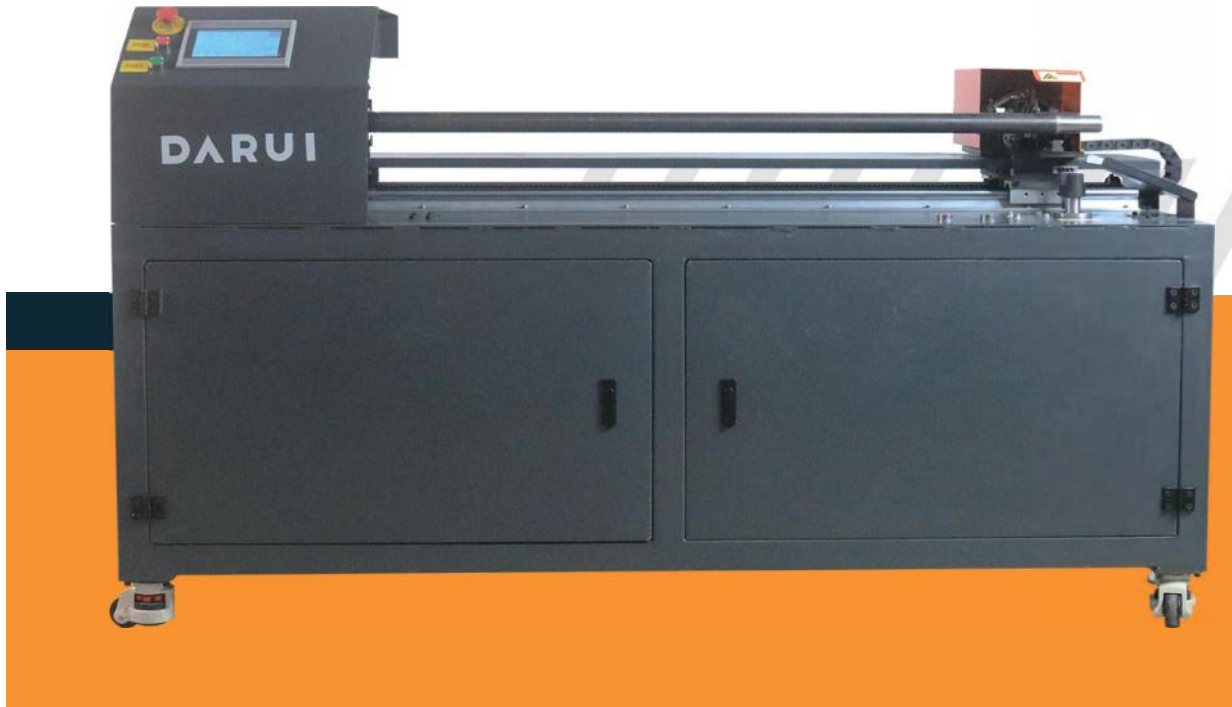


**Kraft Paper**

- 1.350 pos/min at highest speed.
- 2.Mark tracking & Fixed length mode.
- 3.Multi-function touch control & display, Easy to operate.
- 4.Single machine & Joint machine mode, Build your own platform.
- 5.Different Width 450mm500mm600mm Optional.



# Auto Core Cutter —G1



**Auto Cutting**



**Core Length Available  
600/1200 MMM**



**Auto Discharge**



**User-friendly Interface**

This core cutting machine has automated processes within the label industry, reducing the need for manual labor, enhancing production efficiency, and lower costs.

Power	1 KW	Core Diameter	Φ3"(Optional Φ1.5"/Φ1")
Weight	300 KG	Cutting Speed	Adjustable
Voltage	AC 220 V	Operation Method	Touchscreen + Buttons
Core Length	600 MM /1200 MM	Size	1300*740*1200/1800 MM

# Automatic Label Reel Lifter

—L1



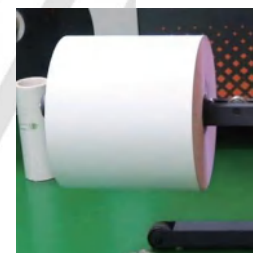
Feeding Shaft



Height Linriter



Operating Panel



Roll label loading

Max Web	530MM	Bear Weight	100KG
Max Media Diameter	800MM	Net Weight	55KG
Max Lift Height	600MM	Dimension	730MM*675MM*1250MM

# Manual Label Reel Lifter

—L2

DARUI



Feeding Shat



Fixed Casler



Rocker



Roll label loading

Max Web	530MM	Bear Weight	100KG
Max Media Diameter	800MM	Net Weight	55KG
Max Lift Height	660MM	Dimension	730MM*675MM*1250MM

# Electric Rotary Lifting Vehicle

—L5



Remote Control



Rope Pulley



Mobile Security  
And Speed



Transmission  
Mechanism

Loading Length	800MM
Rated Load	350KG
Rated Power	750W
Lifting Speed	0-4M/MIN
Max Lift Height	2400MM
Dimension	1500MM*820MM*250MM

## Electric Rotary Lifting Vehicle

### —L6



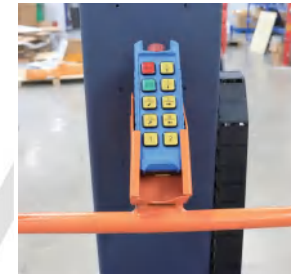
Fixed Caster



180°Degree Flip



Tighten And Reinforce



Remote Control

Loading Length	500MM
Rated Load	100KG
Rated Power	450W
Lifting Speed	0-3.5M/MIN
Max Lift Height	1650MM
Dimension	930MM*580MM*1800MM

# Desktop Digital Die Cutter ---D-SP1



**5.1-Inchhd Touch Screen**



**Double Rows of Coarse Paper Rods**



**High Power Car**



**Multiple Output Modes**

Paper Size	A4、 A3、 A3+	Paper Thickness	80-350g
Positioning Mode	Digital camera	Contrnl Panel	5.1 inch HD touch screen
Speed	20~1500mm/s	Cutter Pressure	20~500g
Drive System	DC SERVO	Precision	+/-0.01mm
NET/Gross Weight	40kg/62kg	Machine Size Package Size	72*46*38cm/89*67*53cm
Feed Mode	Double row rubber roller friction feed paper	Communication Mode	WiFi/USB/U-disk/Network Cable
Software Support	Support Illustrator/CorelDRAW software direct input, direct USB;		

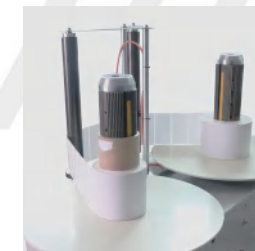
## Automatic Label Counting Rewinder ---D- 450A



Control Panel



Count Sensor



Mechanical Shaft



Count Piece Display

Product Name	Automatic Rewinding Machine	Speed	0-(40-200)m/min
Mix Lift Height	140mm	Working Voltage	220V
Total Output	120W	Electromagnetic TensionI	6N
Weight	50kg	Meas	660*400*560mm

# Digital Slitting Machine

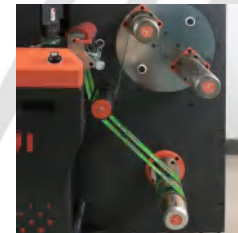
—F2



Auto Blade Assignment



Label Transfer Device



Rapid Replacement On Dual Rewinder



Touch Screen

Power	3 KW	Slitting Precision	± 0.2 MM
Voltage	Single-phase 220 V	Slitting Speed	250 M/MIN(Max)
Weight	720 KG	Operation Mode	Automatic
Slitting Blades	9 PCS	Special Feature	Label Transfer Device
Feeding Width	330 MM	Machine Dimensions	2330*1165*1500 MM
Minimum Width	20 MM		



# Automatic Label Reel Lift

## —L4

# DARUI



Lift Arm



Lift Button



Switch



Roll label loading

1. Due to the heavy roll of paper tube feeding work to bring inconvenience, charging machine help you to solve your structure.
2. Adjust the printing paper with printing equipment level. It is one of the good helper of save time.

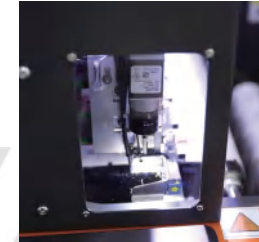
Max Web	530MM	Bear Weight	100KG
Max Media Diameter	800MM	Net Weight	55KG
Max Lift Height	660MM	Dimension	730MM*675MM*1250MM

# Digital Die-Cutter

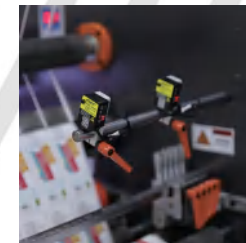
## S7



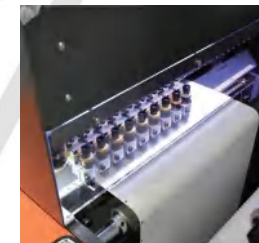
Auto  
Web Guide



Industrial  
Grade Camera



Matrix Removal  
& Inspection



Multi Task  
Changeover Via Qr Code

Cutting Precision	0.1MM	Total Output	2.5KW	Practical speed
Die-cutting Speed	0-10M/M	Weight	800KG	Blank label 1000pcs
Working Voltage	AC220V	Cutting Blades	3pcs	Circle/90*90mm/5'15"
Equipment Structure	Roll To Roll	Meas	1550MM*1150MM*1530MM	Rec190*90mm/6'49"
Die-cutting Positioning	CCD Camera + QR Code Automatic Die Cutting			Printed labels
Operating Surrounding	Humidity:40%-70% Temperature:20-30°C			Circle90*90mm/7'09"
Applicable Material	Stickers,Label Paper,PET And Other Film Label			Rec/90*90mm/8'15"

# DARUI

Smarter Digital Label Solution



## Contact Us

Email: [sales@nbdarui.com](mailto:sales@nbdarui.com)

WhatsApp: +86 133 3669 7110

Tel: +86 183 5748 2413

WeChat: [aliceyang9](#)

Add: No.7 Moganshan Road, Beilun, Ningbo, Zhejiang, China.



Facebook



WhatsApp



Youtube



Wechat